



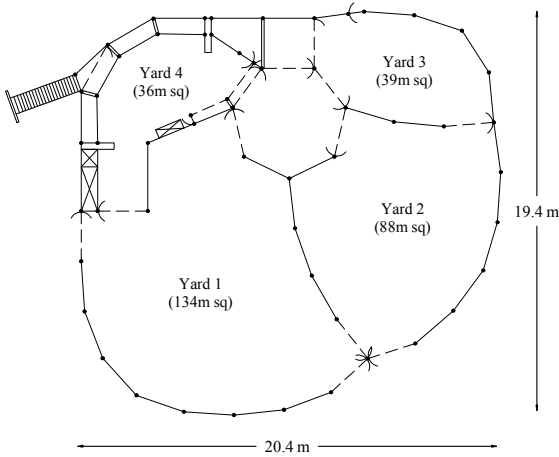
Manufacturing quality stockyards since 1990



Cattle Yard Designs

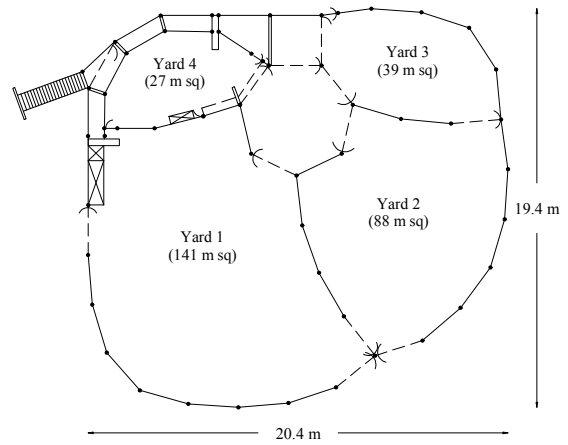
110 Head (SWA)

260 Head Holding Capacity
Total Yard Area - 338 m sq



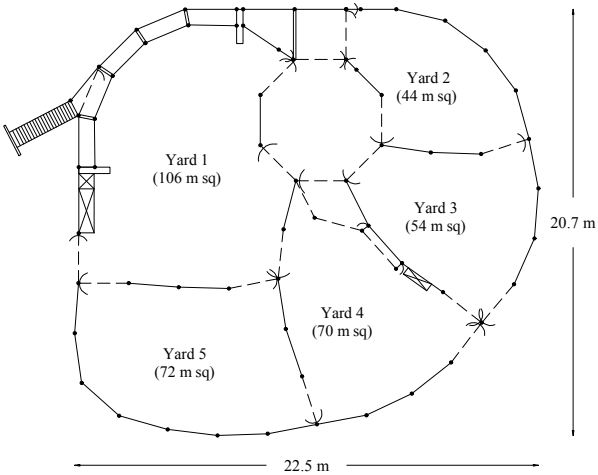
110 Head (CR)

260 Head Holding Capacity
Total Yard Area - 338 m sq



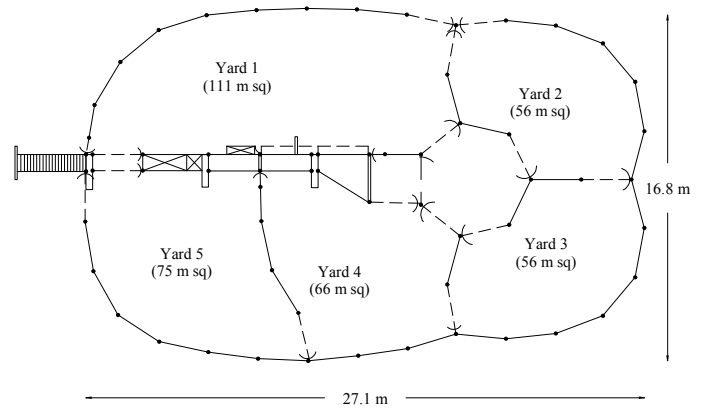
140 Head (CR)

306 Head Holding Capacity
Total Yard Area - 398 m sq



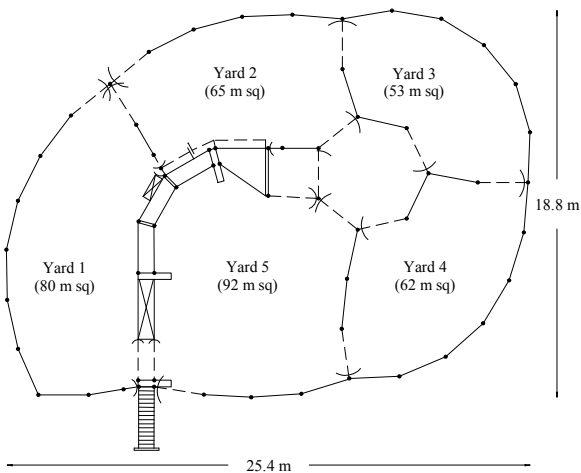
150 Head (SR)

310 Head Holding Capacity
Total Yard Area - 404 m sq



150 Head (Weean)

300 Head Holding Capacity
Total Yard Area - 392 m sq



160 Head (CR)

338 Head Holding Capacity
Total Yard Area - 440 m sq

