



Manufacturing quality stockyards since 1990

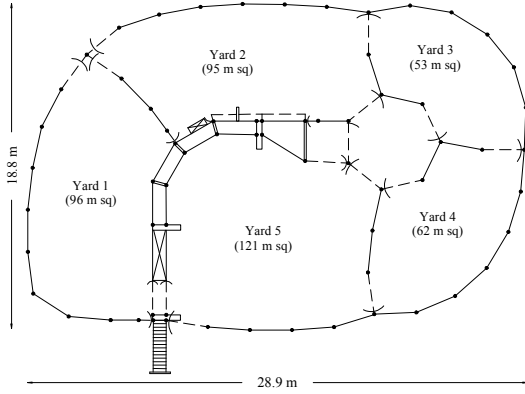


Cattle Yard Designs

180 Head (Wean)

363 Head Holding Capacity

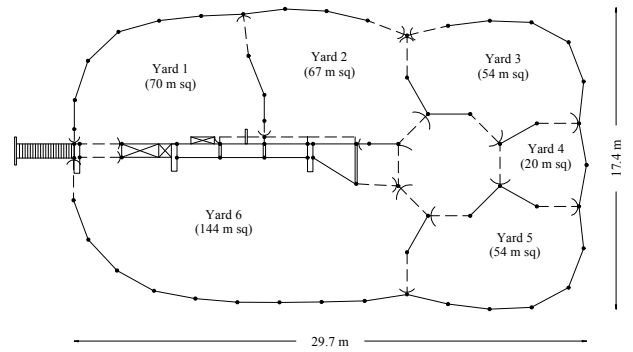
Total Yard Area - 472 m sq



180 Head (SR)

354 Head Holding Capacity

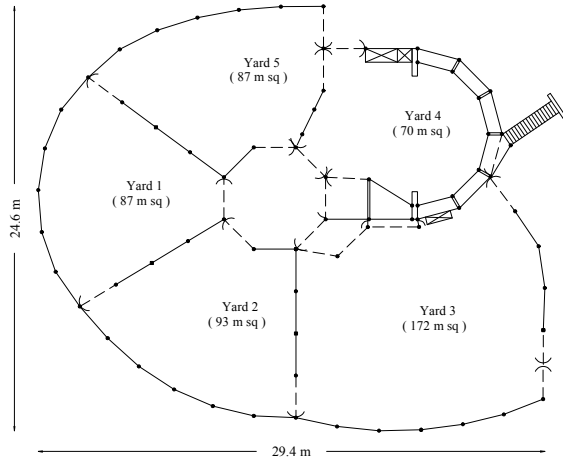
Total Yard Area - 461 m sq



200 Head (HSR)

430 Head Holding Capacity

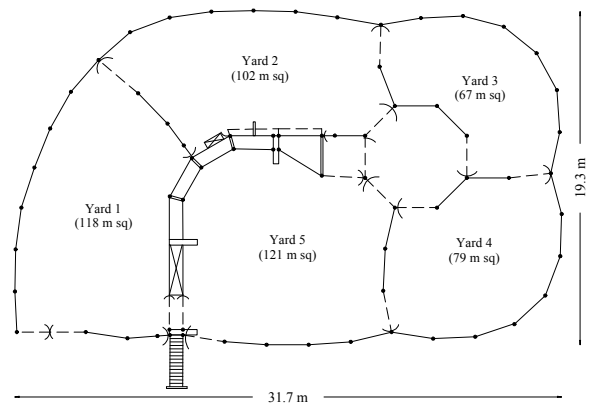
Total Yard Area - 560 m sq



200 Head (Wean)

414 Head Holding Capacity

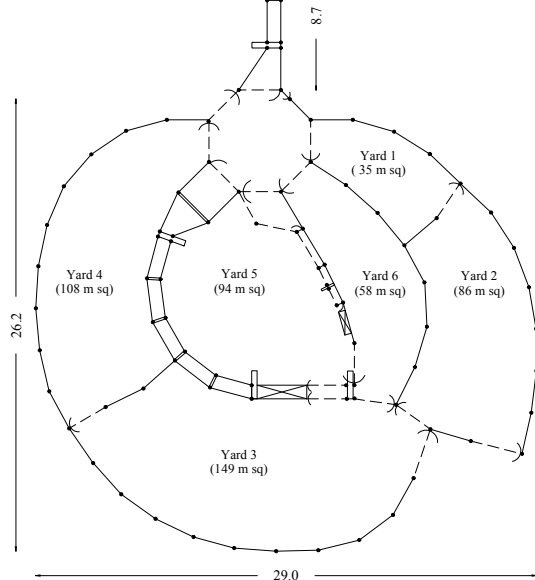
Total Yard Area - 539 m sq



210 Head (CR)

450 Head Holding Capacity

Total Yard Area - 583 m sq



220 Head (CR)

500 Head Holding Capacity

Total Yard Area - 669 m sq

