



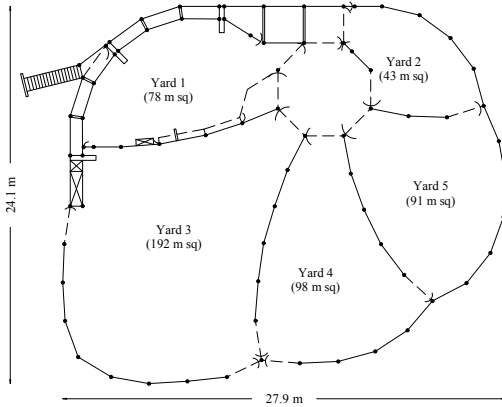
Manufacturing quality stockyards since 1990



Cattle Yard Designs

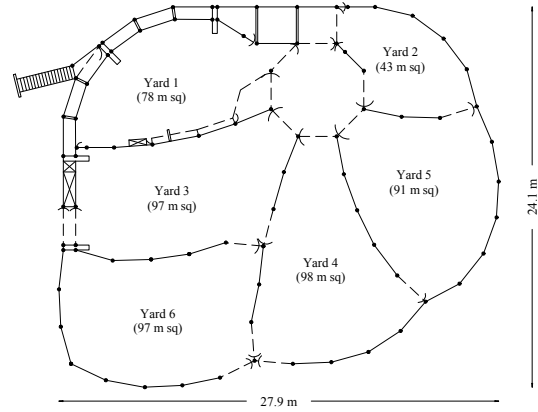
230-250 Head (A) (CR)

435 Head Holding Capacity
Total Yard Area - 566 m sq



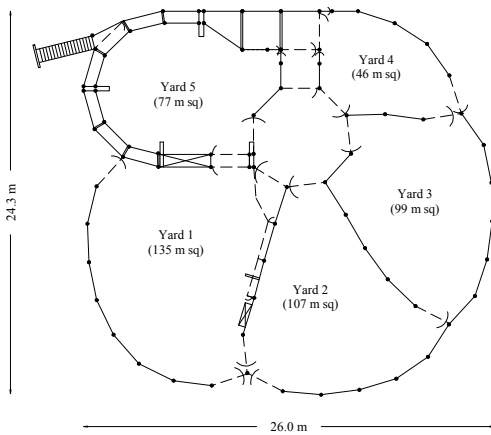
230 - 250 Head (B) (CR)

435 Head Holding Capacity
Total Yard Area - 566 m sq



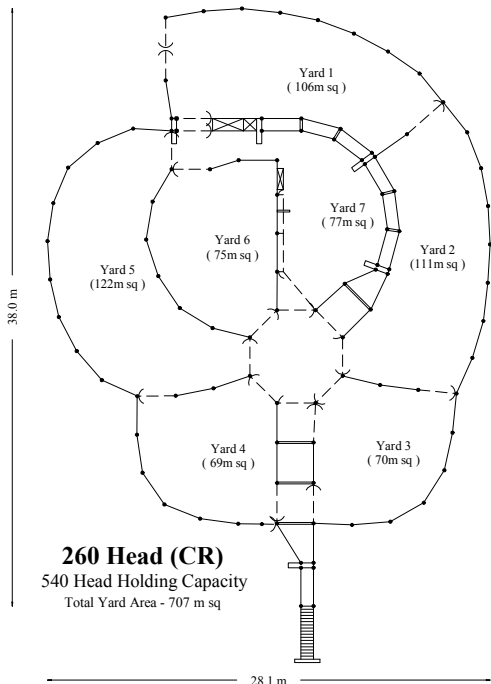
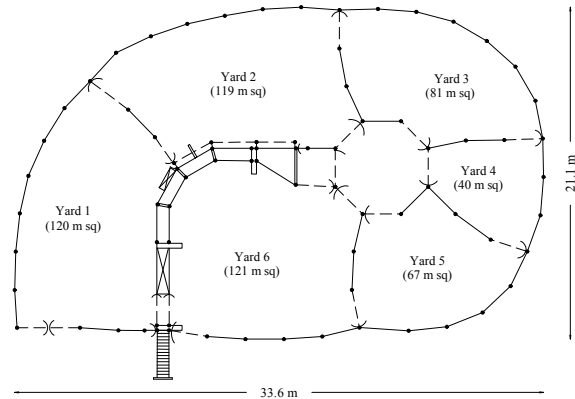
230 - 250 Head (HSR)

411 Head Holding Capacity
Total Yard Area - 535 m sq



240 Head (Weean)

460 Head Holding Capacity
Total Yard Area - 600 m sq



260 Head (CR)

540 Head Holding Capacity
Total Yard Area - 707 m sq

280 Head (Weean)

550 Head Holding Capacity
Total Yard Area - 712 m sq

